

INSTR2100 1003

Replacement Cartridge Instructions

Aqua-Pure
WATER SOLUTIONS

For AP-DWS250 Drinking Water Systems

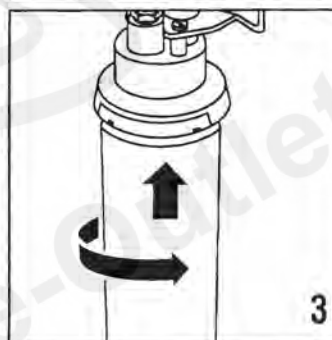
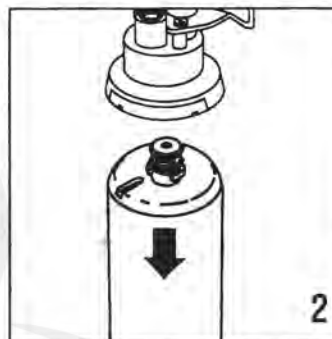
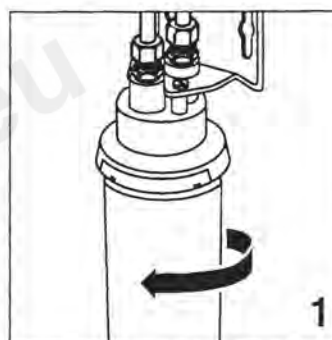
Cartridge Replacement:

Replace cartridge when there is a decided decrease in water flowing from the faucet or when objectionable taste and/or odors return. It is recommended that the cartridge be changed at least every six months. Always have spare cartridges on hand.

To Replace Cartridges:

Note: Place pan under filter to catch small amounts of water during cartridge change

1. Turn cartridge slowly approximately 1/4 turn to the left from the "On" position until it hits a stop and the notch on the cartridge lines up with the word "Off" on the head. At this position, the inlet and outlet ports have been closed and the filter internal pressure has been relieved.
2. Pull used cartridge straight down and discard.
Note: There is a small amount of residual water drainage after pressure is relieved and during cartridge removal.
3. Push new cartridge into head with notch on cartridge in line with the word "Off" on head. Top surface of cartridge will become flush with bottom of head when fully engaged. Turn cartridge approximately 1/4 turn to the right until it hits a stop and the notch lines up with the word "On" on the head.
4. Open faucet to expel trapped air and allow water to run 5 minutes. Water may run cloudy due to air but will quickly clear.



CUNO
Water Group

CUNO Incorporated
400 Research Parkway
Meriden, CT 06450, USA
Toll Free: 1-800-222-7880
Worldwide: 203-237-5541
Fax: 203-238-8701

www.aquapure.com • www.cuno.com